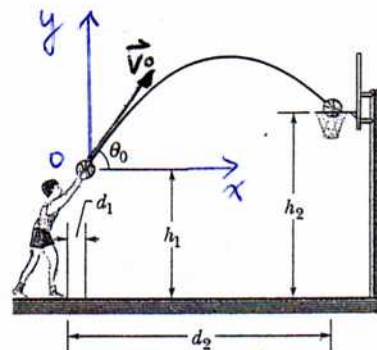


1. (25 points) At what initial speed V_0 must the basketball player throw the ball, at angle θ_0 above the horizontal, to make the foul shot? (in terms of d_1 , d_2 , h_1 , h_2 , θ_0 , and constant)



projectile. choose x, y origin

$$t=0, \vec{v}_0 = v_0 \cos \theta_0 \hat{i} + v_0 \sin \theta_0 \hat{j}$$

$$x_0 = y_0 = 0$$

at t , make the foul shot

$$x = x_0 + v_{0x}t + \frac{1}{2}a_x t^2$$

$$d_2 - d_1 = v_0 \cos \theta_0 t \quad \text{--- (1)}$$

$$y = y_0 + v_{0y}t - \frac{1}{2}gt^2$$

$$h_2 - h_1 = v_0 \sin \theta_0 t - \frac{1}{2}gt^2 \quad \text{--- (2)}$$

from (1) $t = \frac{d_2 - d_1}{v_0 \cos \theta_0}$ into (2)

$$h_2 - h_1 = v_0 \sin \theta_0 \frac{d_2 - d_1}{v_0 \cos \theta_0} - \frac{1}{2}g \left(\frac{d_2 - d_1}{v_0 \cos \theta_0} \right)^2$$

$$h_2 - h_1 = \tan \theta_0 (d_2 - d_1) - \frac{1}{2}g \left(\frac{d_2 - d_1}{v_0 \cos \theta_0} \right)^2$$

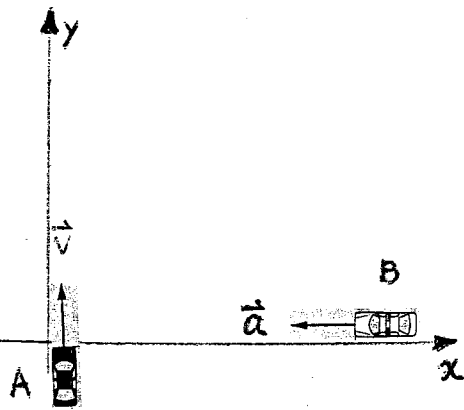
$$\frac{1}{2}g \left(\frac{d_2 - d_1}{v_0 \cos \theta_0} \right)^2 = \tan \theta_0 (d_2 - d_1) - (h_2 - h_1)$$

$$v_0^2 = \frac{g(d_2 - d_1)^2}{2 \cos^2 \theta_0 (\tan \theta_0 (d_2 - d_1) - (h_2 - h_1))}$$

$$v_0 = \frac{(d_2 - d_1)}{\cos \theta_0} \sqrt{\frac{g}{2[\tan \theta_0 (d_2 - d_1) - (h_2 - h_1)]}}$$

2. (25 points) Car A is traveling north at 20 m/s crosses the intersection, at the instant car B starts from rest 50m east of the intersection and moves west with a constant acceleration of 2 m/s². t seconds after A crosses the intersection, find (a) the position of B relative to A, (b) the velocity of B relative to A, (c) the acceleration of B relative to A.

2-D motion.



Position $\vec{r}_A = x_A \hat{i} + y_A \hat{j} = 0 \hat{i} + y_A \hat{j}$

$$y_A = \cancel{y_{0A}} + v_{0A}t + \frac{1}{2} \cancel{a_A} t^2 = vt$$

$$\vec{r}_A = 20t \hat{j}$$

$$\vec{r}_B = x_B \hat{i} + y_B \hat{j} = x_B \hat{i} + 0$$

$$x_B = x_{0B} + \cancel{v_{0B}}t + \frac{1}{2} a_B t^2$$

$$= 50 - \frac{1}{2} \times 2 \cdot t^2$$

$$\vec{r}_B = (50 - t^2) \hat{i}$$

(a) $\vec{r}_B - \vec{r}_A = (50 - t^2) \hat{i} - 20t \hat{j}$

(b) $\vec{v}_B = \frac{d\vec{r}_B}{dt} = -2t \hat{i}$

$$\vec{v}_A = \frac{d\vec{r}_A}{dt} = 20 \hat{j}$$

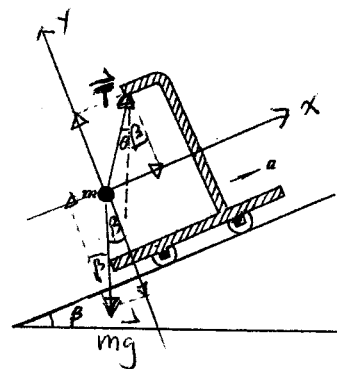
$$\vec{v}_B - \vec{v}_A = -2t \hat{i} - 20 \hat{j}$$

(c) $\vec{a}_B = \frac{d\vec{v}_B}{dt} = -2 \hat{i}$

$$\vec{a}_A = \frac{d\vec{v}_A}{dt} = 0$$

$$\vec{a}_B - \vec{a}_A = -2 \hat{i}$$

3. (25 points) A small object of mass m is suspended from a string attached to a fixed point on the ceiling of a car. When the car moves with acceleration a along an inclined plane of angle β , the object will deflect and the string will make an angle θ with the vertical. Find angle θ (in terms of β and a).



free body diagram

two forces \vec{T} , $m\vec{g}$ on the small object

choose x , y axis

Apply Newton's second Law

$$x: T \cdot \sin(\theta + \beta) - mg \cdot \sin \beta = ma$$

$$T \sin(\theta + \beta) = mg \sin \beta + ma \quad \text{--- (1)}$$

$$y: T \cos(\theta + \beta) - mg \cos \beta = 0$$

$$T \cdot \cos(\theta + \beta) = mg \cdot \cos \beta \quad \text{--- (2)}$$

(1)/(2) to eliminate T to solve θ

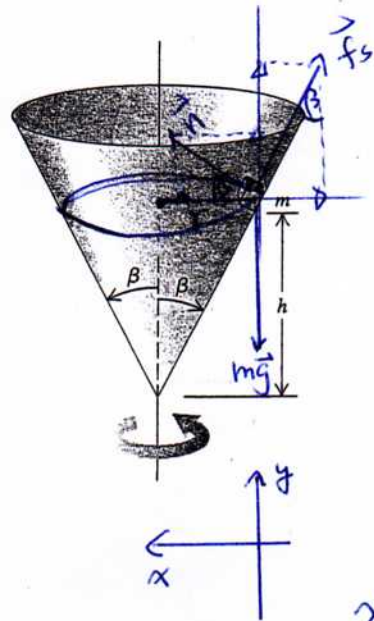
$$\tan(\theta + \beta) = \frac{mg \sin \beta + ma}{mg \cdot \cos \beta}$$

$$\tan(\theta + \beta) = \frac{g \sin \beta + a}{g \cdot \cos \beta}$$

$$\theta + \beta = \tan^{-1} \left(\frac{g \sin \beta + a}{g \cos \beta} \right)$$

$$\therefore \theta = \tan^{-1} \left(\frac{g \sin \beta + a}{g \cos \beta} \right) - \beta$$

4. (25 points) A small block with mass m is placed inside an inverted cone that is rotating about a vertical axis such that the time for one revolution of the cone is T . The walls of the cone make an angle β with the vertical. The coefficient of static friction between the block and the cone is μ_s . If the block is to remain stationary relative to the rotating cone at a constant height h , what is the maximum value of T ? (in terms of h , β , μ_s and constant)



Circular motion of radius $r = h \cdot \tan \beta$.

$$\text{max } T. \quad T = \frac{2\pi r}{v} \quad \text{min } v$$

block has a tendency to slide down.
So static friction on the block up \nearrow

Three forces \vec{n} , \vec{f}_s , \vec{mg}

choose x , y .

apply Newton's second Law

$$x: n \cdot \cos \beta - f_s \cdot \sin \beta = m a_c = m \frac{v^2}{r}$$

$$y: n \cdot \sin \beta + f_s \cdot \cos \beta - mg = 0$$

$$f_{s \text{ max}} = \mu_s \cdot n$$

$$n \cdot \cos \beta - \mu_s \cdot n \sin \beta = m \cdot \frac{v^2}{r} \quad \text{--- (1)}$$

$$n \sin \beta + \mu_s n \cos \beta = mg \quad \text{--- (2)}$$

$$\text{(1)/(2)} \quad \frac{\cos \beta - \mu_s \sin \beta}{\sin \beta + \mu_s \cos \beta} = \frac{v^2}{gr} = \frac{\left(\frac{2\pi r}{T_{\text{max}}}\right)^2}{gr} = \frac{4\pi^2 h \tan \beta}{g T_{\text{max}}^2}$$

$$T_{\text{max}}^2 = \frac{4\pi^2 h \tan \beta}{g} \cdot \frac{\sin \beta + \mu_s \cos \beta}{\cos \beta - \mu_s \sin \beta}$$

$$T_{\text{max}} = 2\pi \sqrt{\frac{h \tan \beta}{g} \cdot \frac{\sin \beta + \mu_s \cos \beta}{\cos \beta - \mu_s \sin \beta}}$$